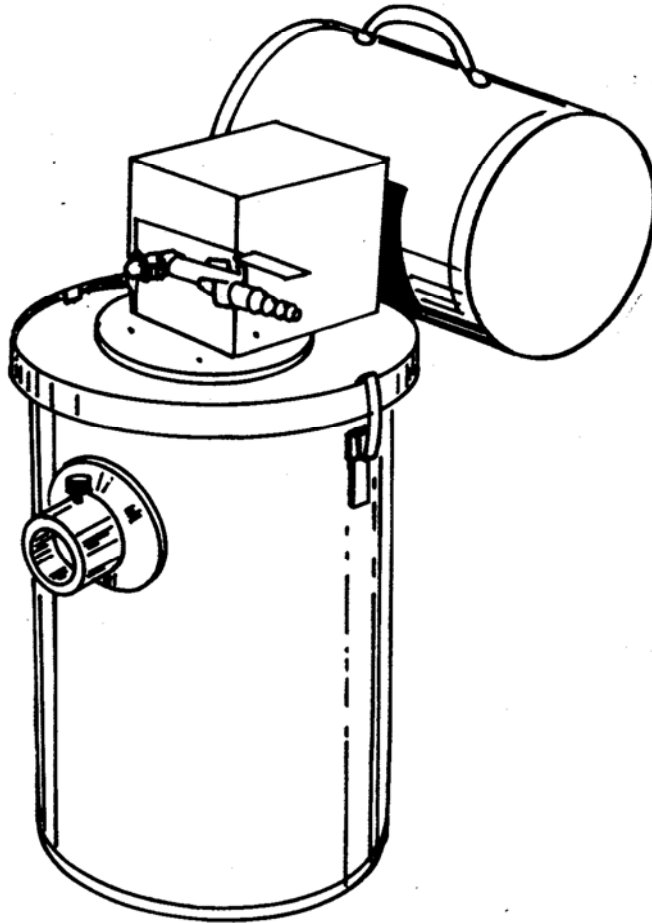


- OPERATION
- SERVICE
- PARTS
- CARE

Hako[®]
Minuteman[®]

Model No: C70004 (700-4)
C70006 (700-6)



MODEL C70004 AIR OPERATED VACUUM DRY RECOVERY ONLY, AND C70006 WET/DRY RECOVERY VACUUM.

OPERATING INSTRUCTIONS

INSPECTION

Carefully unpack and inspect your machine for shipping damage. Each unit is tested and thoroughly inspected before shipment, therefore, any damage is the responsibility of the delivering carrier who should be notified immediately. Read all instructions carefully before operating.

SPECIAL WARNING:

Air operated equipment can generate static electricity during use. Static dissipating arcing can be generated and occur if equipment and accessories are not grounded. Risk of explosion is possible if operated near explosive materials or vapors. Do not operate this equipment near flammable materials such as solvents, thinners, fuels, grain dust, etc.

AIR PRESSURE AND C.F.M. VOLUME REQUIRED

For maximum performance, operate with 1/2" air pressure line, 80 PSI (max. 100 PSI) and 37 input C.F.M. Air pressure control valve can be regulated to operate with lower pressure and C.F.M. when maximum is not required.

MAINTENANCE AND USAGE

Air supplied to vacuum must be clean and dry to avoid contamination in silencer and to maintain optimum performance.

Empty tank, clean filter bag and replace disposable filters regularly. Clogged filters restrict air flow and results in reduced vacuum performance.

Always shut off main air supply and open air valve at vacuum to relieve pressure before disconnecting air pressure line.

ASSEMBLY PROCEDURE FOR MEDL C70004 DRY RECOVERY VACUUM

(See Schematic on page 3)

1. Place filter bag assembly #2 onto tank assembly #4.
2. Place lid assembly #1 onto tank and fasten lid latches.
3. Connect 1/2" air pressure line to shut off valve on lid.
4. Attach vacuum hose assembly to intake, vacuum intake will accept 1 1/2" and/or 2" hose. OPTION: For fine dust recovery, a filter bag protector #3 is recommended to be installed ahead of the filter bag assembly #2. (Must be ordered as separate item #761177PKG of 10.)
5. To operate, open air shut off valve to desired setting.

CLEANUP PROCEDURE

1. Shut off air supply at lid assembly.
2. Loosen lid latches and remove lid assembly.
3. Remove cloth filter bag assembly.
4. When filter bag protector is used, remove protector.
5. Empty tank into suitable trash container.
6. Reassemble following above procedure.

ASSEMBLY PROCEDURE FOR C70006

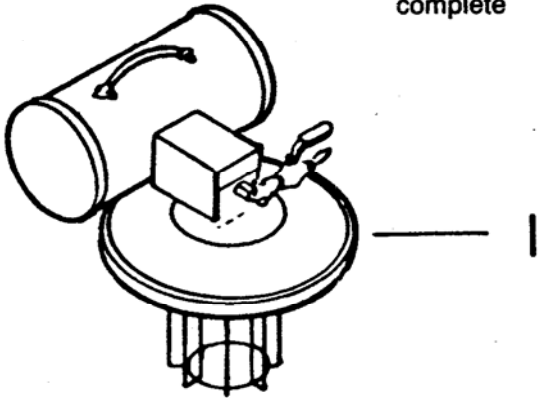
(See Schematic on page 3)

Model C70006 is for wet/dry recovery. For dry recovery, use same procedure as outlined for C70004.

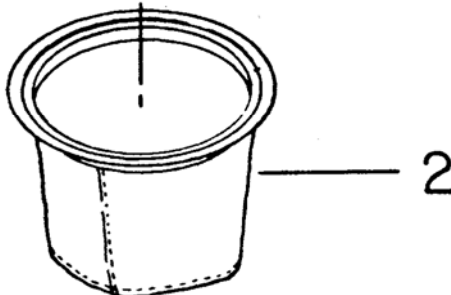
For wet recovery, remove filter bag #2 and filter protector #3 if used. Ball float #25 within float cage #26 will actuate at 3 1/2 gallon recovery level.

Always empty and dry tank assembly at end of each operating day or when vacuum will not be in use over extended period of time.

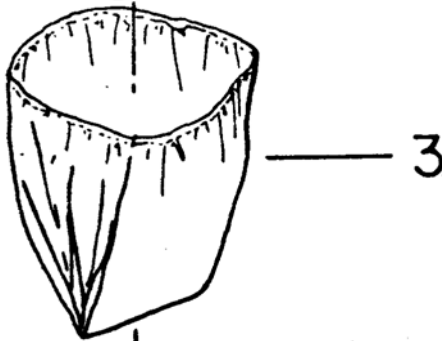
1. 700111 — Lid assembly complete
2. 805044 — Cloth bag assembly complete
3. 761177PKG — Filter bag optional
4. 908001SS, 908002PTD — Tank assembly complete



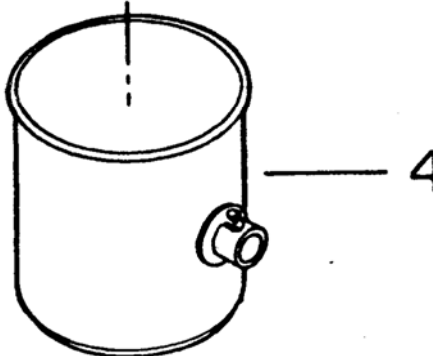
1



2



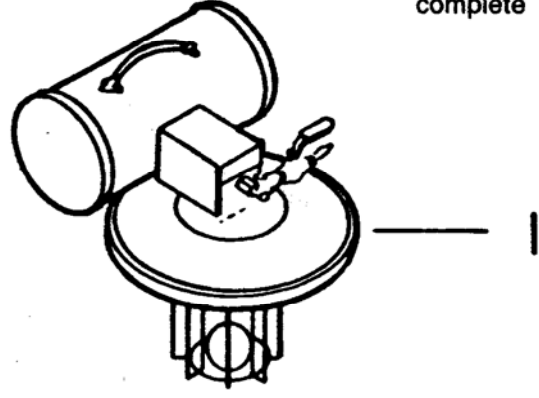
3



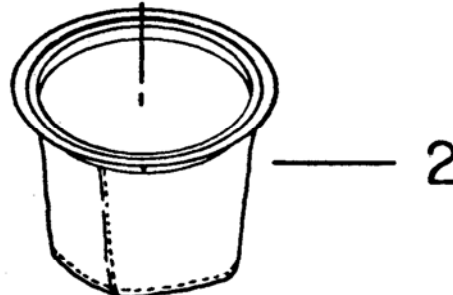
4

700-4

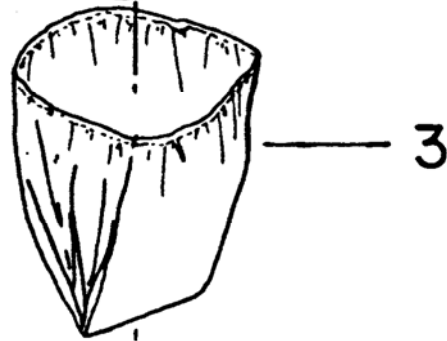
1. 700112 — Lid assembly complete
2. 805041 — Cloth bag assembly complete
3. 761177PKG — Filter bag optional
4. 907007SS, 907008PTD — Tank assembly complete



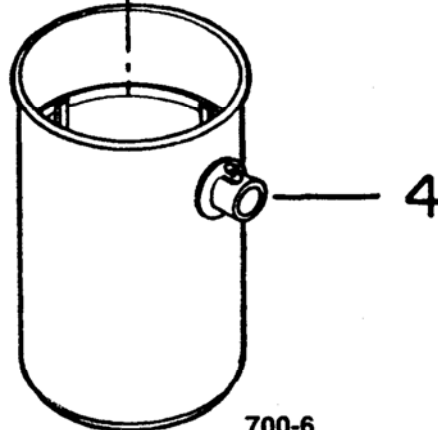
1



2

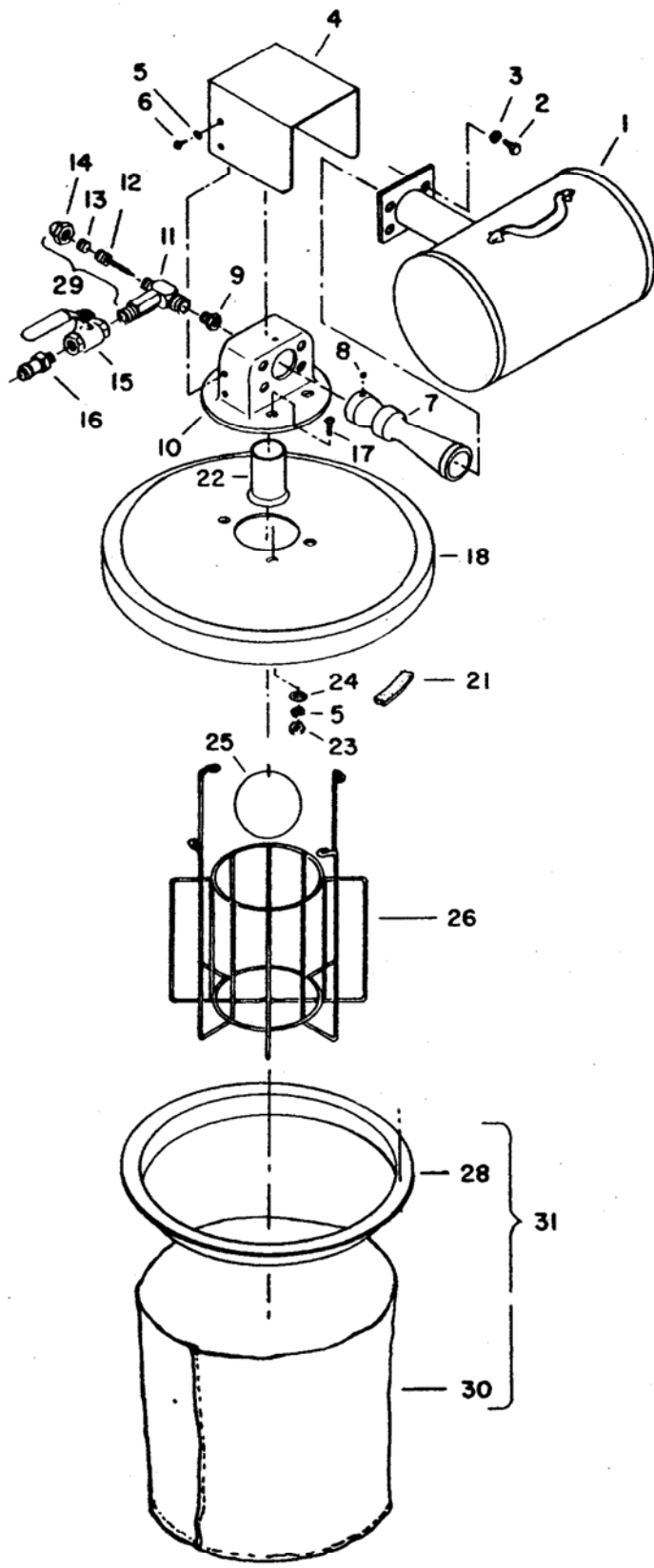


3



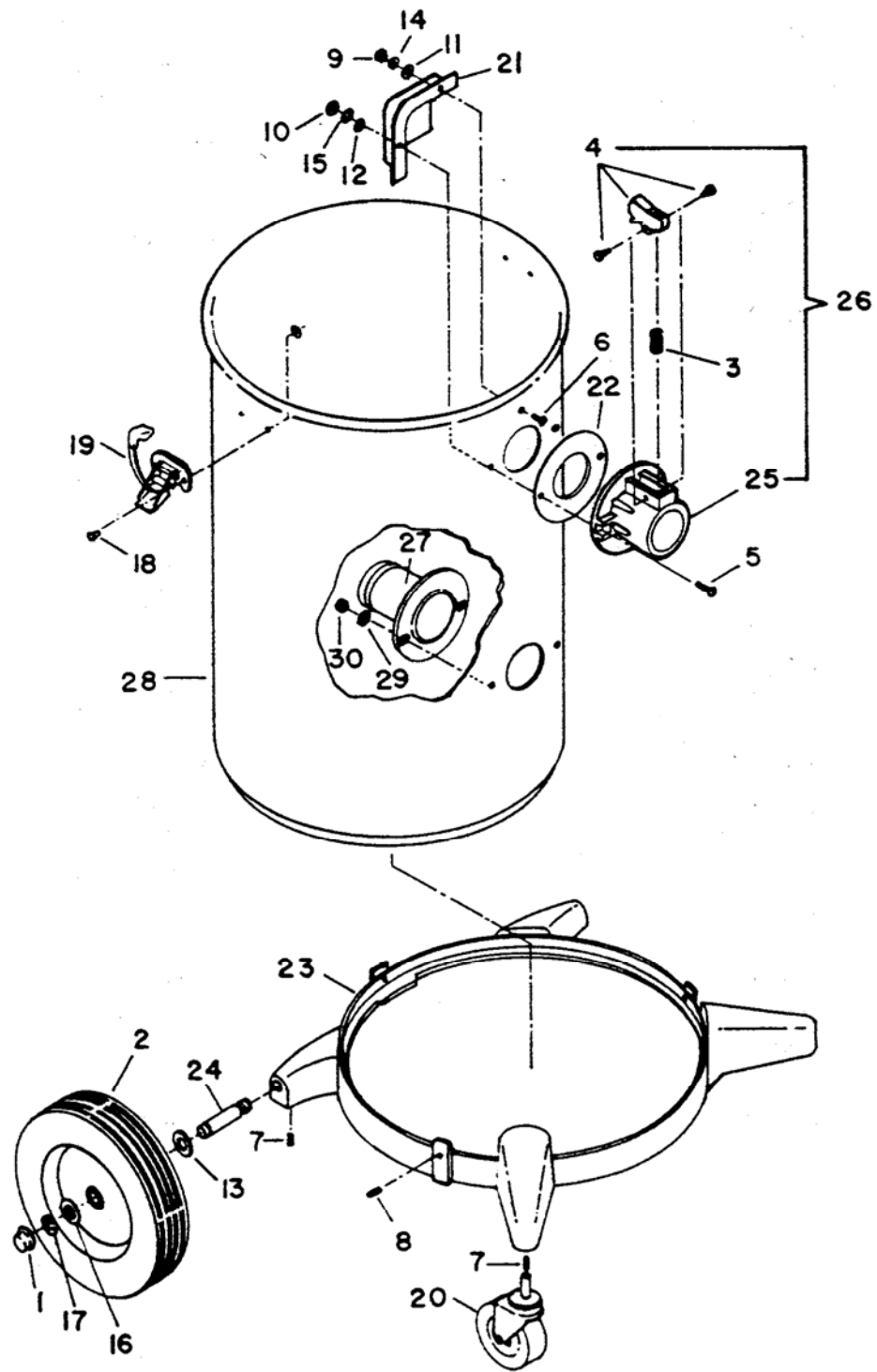
4

700-6



Parts Listing

| ITEM NO. | PART NO. | QUANTITY | DESCRIPTION |
|----------|-----------|----------|---------------------------------------------------------|
| 1 | 700007 | 1 | Muffler 700 series |
| 2 | 711229 | 4 | Blt-HH 5/16-18x.87 St |
| 3 | 711545 | 4 | Wsr, Helical Spr Loc 5/16 |
| 4 | 700009 | 1 | Cover |
| 5 | 711543 | 5 | WSR, Helical SPR LOC #10 |
| 6 | 710353 | 4 | SCR-MC 10-32 x .37 ST PL |
| 7 | 700002 | 1 | Horn, Venturi |
| 8 | 711005 | 1 | SCR-SK 1/4-20 x .31 |
| 9 | 701029 | 1 | Orifice, Hex |
| 10 | 701005MCH | 1 | Housing |
| 11 | 750653 | 1 | Var. Orifice Hsg Inlet Asy |
| 12 | 750641 | 1 | Needle Assy |
| 13 | 711229 | 1 | SCR-SK 3/8-24 x .25 |
| 14 | 711357 | 1 | Nut-Acorn 5/8-11 ST PL |
| 15 | 701009 | 1 | Valve, .50 |
| 16 | 701010 | 1 | Coupler, Male .50 |
| 17 | 710357 | 4 | SCR-MC 10/32 x .75 ST PL |
| 18 | 700001PTD | 1 | Lid |
| 21 | 380044 | 1 | Lid Gasket 4/6, 40" |
| 22 | 703013 | 1 | Tube Water Shut-off |
| 23 | 711310 | 4 | Nut-Hex 10-32 ST PL |
| 24 | 711503 | 4 | WSR, Flat No. 10 |
| 25 | 380046 | 1 | Float Ball |
| 26 | 380045CTD | 1 | Float Cage |
| 28 | 760244 | 1 | Frame, Dust Bag |
| 29 | 701007 | 1 | Var. Orifice Asy Complete includes 9, 11, 12, 13, 14 |
| 30 | 805040 | | Cloth Bag Only, 6 Gallon |
| 30A | 805043 | | Cloth Bag Only, 4 Gallon |
| 31 | 805041 | | Cloth Bag Assembly Complete, 6 Gallon |
| 31A | 805044 | 1 | Cloth Bag Assembly Complete, 4 Gallon |



PARTS LISTING

| ITEM NO. | PART NO. | QTY. | DESCRIPTION |
|----------|-----------|------|--------------------------------|
| 1 | 130032 | 2 | Cap, Retainer |
| 2 | 170047 | 2 | Wheel 6" |
| 3 | 390002 | 1 | Spring .275 O.D. |
| 4 | 390001 | 1 | Trigger with Pins |
| 5 | 712824 | 2 | SCR-MC 10-24 x .75 ST PL |
| 6 | 710530 | 1 | SCR-MC 8-32 x .50 Brass |
| 7 | 711005 | 4 | SCR-SK 1/4-20 x .31 |
| 8 | 711006 | 3 | SCR-MC 1/4-20 x .62 |
| 9 | 711304 | 1 | Nut-Hex 8-32 ST PL |
| 10 | 711310 | 2 | Nut-Hex 10-32 ST PL |
| 11 | 711502 | 1 | WSR-Flat #8 |
| 12 | 711503 | 1 | WSR-Flat #10 |
| 13 | 711582 | 2 | WSR-Wave .50 x .75 x .02 |
| 14 | 711542 | 1 | WSR, Lock #8 |
| 15 | 711543 | 2 | WSR, Helical Lock #10 |
| 16 | 711594 | 2 | WSR, Flat .56 x .88 x .03 NI |
| 17 | 711713 | 2 | Retaining, Ring-E Ext. .50 |
| 18 | 711915 | 4 | Rivet .19 x .28 x .37 HD STNI |
| 19 | 761054 | 2 | Latch |
| 20 | 900033 | 2 | Caster, Swivel |
| 21 | 900035 | 1 | Deflector, Intake |
| 22 | 390087 | 1 | Gasket |
| 23 | 900055PTD | 1 | Bracket, Wheel 4/6 Gal. |
| 24 | 900066 | 2 | Axle, Plated |
| 25 | 390000 | 1 | Intake, Injection Molded |
| 26 | 390100 | 1 | Intake, Injection Molded Comp. |
| 27 | 750118 | 1 | Tube Assy. |
| 28A | 900107 | 1 | Tank, 4 Gal. SS High Intake |
| 28B | 900083 | 1 | Tank, 4 Gal. PTD High Intake |
| 28C | 900093 | 1 | Tank, 6 Gal. SS Low Intake |
| 28D | 900092 | 1 | Tank, 6 Gal. PTD Low Intake |
| 29 | 712320 | 2 | WSR-Nylon .22 x .45 x .04 |
| 30 | 712638 | 2 | Nut-Nyloc 10-24 |
| *** | 805041 | 1 | Cloth Filter 6 Gal. |
| *** | 805044 | 1 | Cloth Filter 4 Gal. |
| *** | 761177PKG | 1 | Paper Filter Protector (12) |
| *** | 384003PKG | 1 | Disposable Paper Bag (10) |
| *** | 380049PLT | 1 | Bag Frame |

LIMITED WARRANTY

Hako Minuteman, Inc. warrants to the original purchaser/user that this product is free from defects in workmanship and materials under normal use and service for a period of two years from date of purchase. In addition, Hako Minuteman, Inc. will, at its option, honor labor warranty claims for the first 12 months from date of sale, provided such claims are submitted through and approved by factory authorized repair stations. Hako Minuteman, Inc. will, at its option, repair or replace without charge, except for transportation costs, parts that fail under normal use and service when operated and maintained in accordance with the applicable operation and instruction manuals.

This warranty does not apply to normal wear, or to items whose life is dependent on their use and care, such as belts, cords, switches, hoses, rubber parts, electrical motor components or adjustments. Parts not manufactured by Hako Minuteman, Inc. such as engines, batteries, battery chargers, hydraulic pumps, and tires are covered by and subject to the warranties and/or guarantees of their manufacturers. Please contact Hako Minuteman, Inc. for procedures in warranty claims against these manufacturers.

Special warning to purchaser - Use of replacement filters and/or prefilters not manufactured by Hako Minuteman, Inc. or its designated licensees, will void all warranties expressed or implied.

A potential health hazard exists without exact original equipment replacement.

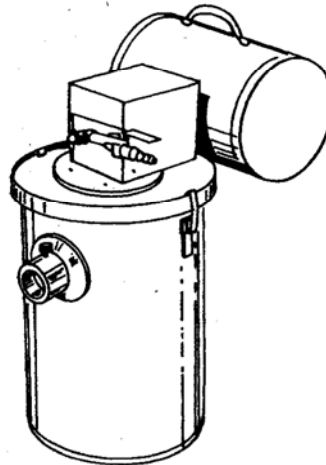
All warranted items become the sole property of Hako Minuteman, Inc. or its original manufacturer, whichever the case may be.

Hako Minuteman, Inc. disclaims any implied warranty, including the warranty of merchantability and the warranty of fitness for a particular purpose. Hako Minuteman, Inc. assumes no responsibility for any special, incidental or consequential damages.

This limited warranty is applicable only in the U.S.A. and Canada, and is extended only to the original user/purchaser of this product. Hako Minuteman, Inc. is not responsible for costs for repairs performed by persons other than those specifically authorized by Hako Minuteman, Inc. This warranty does not apply to damage from transportation, alterations by unauthorized persons, misuse or abuse of the equipment, use of non compatible chemicals, or damage to property, or loss of income due to malfunctions of the product.

If a difficulty develops with this machine, you should contact the dealer from whom it was purchased.

This warranty gives you specific legal rights, and you may have other rights which vary from state to state. Some states do not allow the exclusion or limitation of special, incidental or consequential damages, or limitations on how long an implied warranty lasts, so the above exclusions and limitations may not apply to you.



Hako **Minuteman, Inc.**

111 South Rohlwing Road
Addison, Illinois 60101-4244
Phone (708) 627-6900
Telex 910-991-3992
Telefax 708-627-1130

Hako Minuteman Canada, Inc.
84 E Brunswick Blvd.
Dollard des Ormeaux, Quebec H9B 2C5
Telefax: (514) 683-0809
Telephone: (514) 683-3880
Printed in U.S.A.
987704 7/88